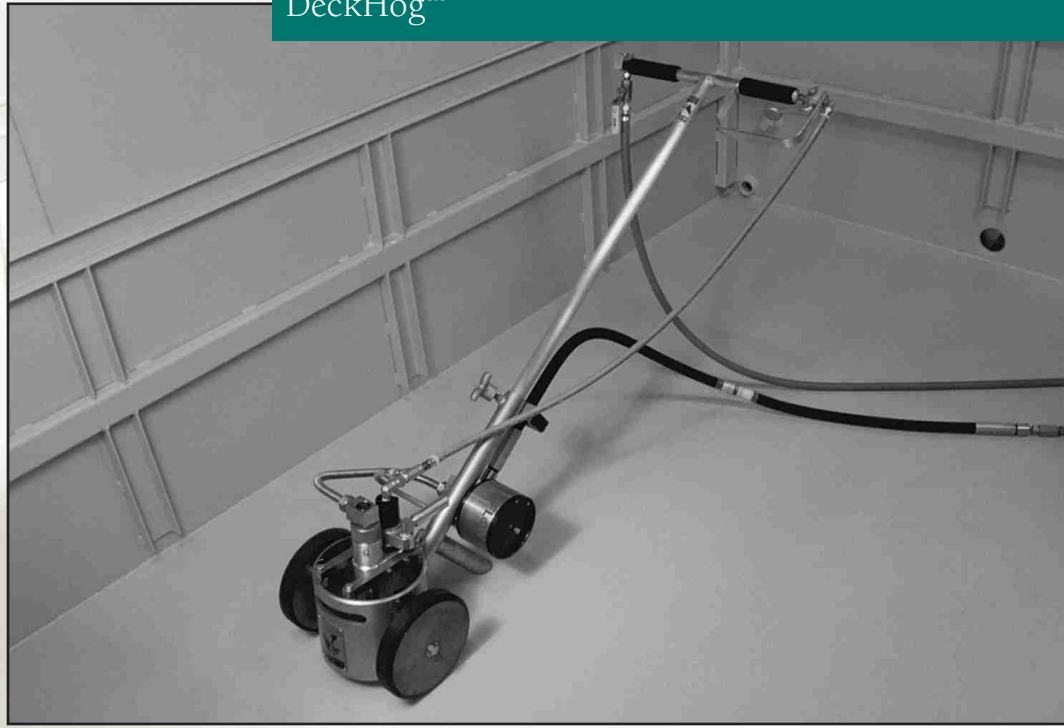




Flow

The DeckHog
delivers
maximum
cleaning power
with minimum
manpower.

DeckHog™



Standard Features

- 8-jet cleaning nozzle with patented Horner™ nozzles
- Pneumatically-driven ultrahigh pressure rotary nozzle
- Standard FLOW 2410 series swivel
- Safety features:
 - Trigger guard
 - Pneumatic shut-off/vent
 - Ultrahigh-pressure on/off valve
- Detachable handle
- 3/16 inch x 6 foot [4.8 cm x 1.84 m] ultrahigh-pressure hose with safety shielding
- In-line air filter and regulator

Benefits

- Cut labor costs by 50 percent or more
- Reduce operator fatigue
- Significantly increase productivity

Clean Horizontal Surfaces Faster, For Less

The DeckHog is a high productivity surface prep tool because it delivers maximum power with minimum manpower. Operating at full HUSKY® power (40,000 psi, 6.5 gpm [2720 bar, 24 lpm]), the DeckHog quickly removes coatings and corrosion products from ship decks, tank bottoms, and factory floors.

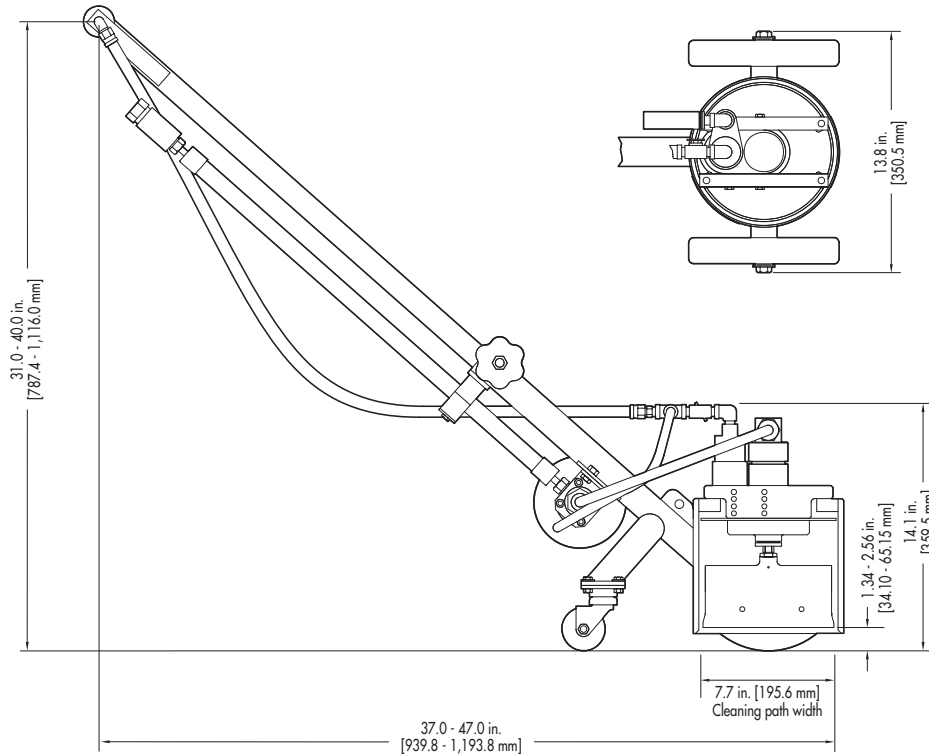
The DeckHog runs with a single operator so labor costs are reduced, and there is no back thrust so an operator can work longer without worker fatigue. The DeckHog is a mobile and highly maneuverable surface prep tool. It attaches easily to a HUSKY pump, and can reach under clearances as low as 15.5 inches [39.4 cm]. The DeckHog is simple to operate, and its compact size and detachable handle make it easy to transport.

Another "Application-Specific Tool" From The World's UHP Leader

Flow International Corporation (FLOW) leads the world in the design and manufacture of ultrahigh-pressure (UHP) waterjet equipment. The DeckHog was developed to meet customer demands for higher productivity and lower operating costs. Its components are compatible with FLOW's other UHP cleaning tools so maintenance is simplified and spare parts requirements remain low. It is an invaluable addition to your line of FLOW high productivity surface preparation equipment.

DeckHog Specifications

Maximum operating pressure	40,000 psi [2,720 bar]
Maximum flow rate	6.5 gpm [24 lpm]
Cleaning path	8 inch [20.3 cm] (approx.)
Cleaning jets	8
Maximum rotation speed	3,000 rpm
Approximate weight85 lbs. [38.6 kg]



DeckHog Spares Kit (Part No. 010638-1)

Quantity	Part Number	Description
4	008576-1	A-3000 Swivel Repair Kit
1	009266-1	On/Off Valve Repair Kit
8	010084-14	Hornet Nozzle Assembly
1	303270-01	Back-up Ring
1	303832-01	Poppet Removal Tool
1	A-7155	Seal
2	A-9718	Drive Belt
1	008169-1	Spindle Assembly
1	A-0275-030	O-Ring

Flow International Corporation

is the world's leading developer and manufacturer of ultrahigh-pressure (UHP) waterjet technology for cutting, cleaning and food safety applications. FLOW provides total system solutions for industries including automotive, aerospace, paper, surface preparation and food production.

United States, Mexico and Central America

Flow International Corporation

World Headquarters
23500 64th Avenue South
P.O. Box 97040
Kent, Washington 98064-9740 USA
Tel: 253-850-3500 • Fax: 253-813-3285
TOLL-FREE 800-446-3569
www.flowcorp.com

Flow International/Eastern Technical Service

30000 Beck Road
Wixom, Michigan 48393 USA
Tel: 248-669-1101 • Fax: 248-669-1181
Tech Service Tel: 248-669-4003
Tech Service Fax: 248-669-9008

Spearhead Automated Systems

30000 Beck Road
Wixom, Michigan 48393 USA
Tel: 248-669-1101 • Fax: 248-669-1181
www.spearheadgrp.com

Flow Autoclave Systems, Inc.

3721 Corporate Drive
Columbus, Ohio 43231 USA
Tel: 614-891-2732 • Fax: 614-891-4568
www.flowae.com

Flow Robotics

1635 Production Road
Jeffersonville, Indiana 47130 USA
Tel: 812-283-7888 • Fax: 812-284-3281
www.flowrobotics.com

Canada

Flow Automation

970 Syscon Road
Burlington, Ontario, Canada L7L 5S2
Tel: 905-681-8575 • Fax: 905-681-8580
TOLL-FREE 877-601-5777
E-mail: sales@flowautomationcorp.com
www.flowautomationcorp.com

Flow Software Technologies

3070 Jefferson Boulevard
Windsor, Ontario, Canada N8T 3G9
Tel: 519-948-6027 • Fax: 519-948-6620
www.workspace5.com

South America

Flow South America

Rua do Curtume, 694 - Lapa
São Paulo, SP 05065-001 Brazil
Tel: +55-11-3611-2822 • Fax: +55-11-3611-3322
E-mail: flowlatinosales@attglobal.net
www.flowlatino.com

Europe, Middle East and Africa

Flow Europe GmbH

Daimlerweg 6
D-64293 Darmstadt, Germany
Tel: +49-6151-88030 • Fax: +49-6151-893822
www.flowgmbh.com

Flow Pressure Systems

SE 721 66 Västerås, Sweden
Tel: +46-21-327000 • Fax: +46-21-327305
www.flowpress.com

Asia, Australia, New Zealand, Korea and China

Flow Asia

No. 2 Technology 3rd Road
Science-Based Industrial Park
Hsin Chu, Taiwan
Tel: +886-(0)3-577-2102 • Fax: +886-(0)3-577-3070
www.flowasia.com

Japan

Flow Japan

13-13, Tsukiji 1-Chome
Chuo-ku, Tokyo 104-0045, Japan
Tel: +813-5565-5801 • Fax: +813-5565-5828
www.flowjapan.co.jp

Regional Sales Representatives

are located throughout the United States. Call 1-800-446-3569 for the representative nearest you.

International Distributors and Agents are located worldwide.



Flow

